

# Product

## 720LM/DM Series

*Small Format IC Core  
Cam Lock*

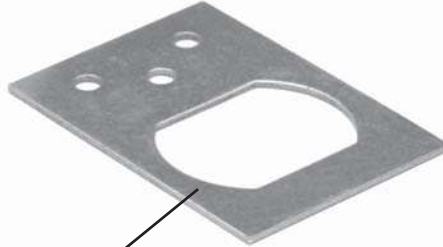


*Door or Drawer  
Cam Lock*

Accepts Best-style small  
format interchangeable  
core (core not included)



Includes plastic  
actuator to functionally  
test lock without core



720-PL3 Stabiizer  
plate - keeps lock from  
rotating in hole, traps  
fixing nut

*Includes all parts  
necessary to lock up,  
down, right or left  
and in key-retaining  
or non-key retaining  
function.*

### **Rainer Security Products Ltd.**

Unit B6, Rudford Industrial Estate, Ford, Arundel West Sussex, BN18 0BF  
Tel: +44 (0)1903 732211 Fax: +44 (0)1903 732777  
email: sales@rainersecurity.co.uk



# 720LM/DM SERIES

## Small Format IC Core Cam Lock

### General Specifications

#### 720LM/DM Series Cam Lock

**Body:** Zinc die cast

**Body diameter:** 1-1/8"

**Mounting cutout:** 1-5/32"

**Max. material thickness:** 1-1/8"

**Min. material thickness:** 0.08"

**Across flats:** 7/8"

**Finish:** US26D (satin chrome),  
US3 (bright brass)

**Cylinder:** not included, accepts standard small format IC cores as manufactured by Best, Arrow, Falcon, Schlage or other compatible small format IC manufacturers

**Keying:** n/a

#### Accessories

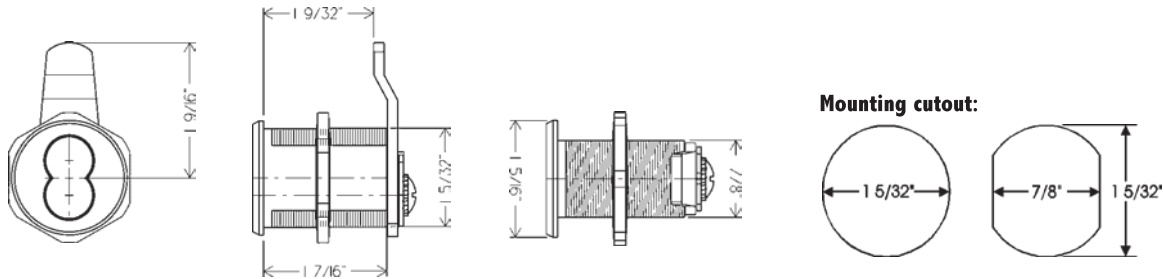
**Includes:**

- Plastic actuator
- 720-PL3 stabilizer plate
- 720-3-1 short inverted cam
- 720-3-2 long vertical cam
- 720-CDLM lost motion cam shifter
- 720-CDDM key-retaining door cam shifter
- 720-KR key-retaining drawer cam shifter

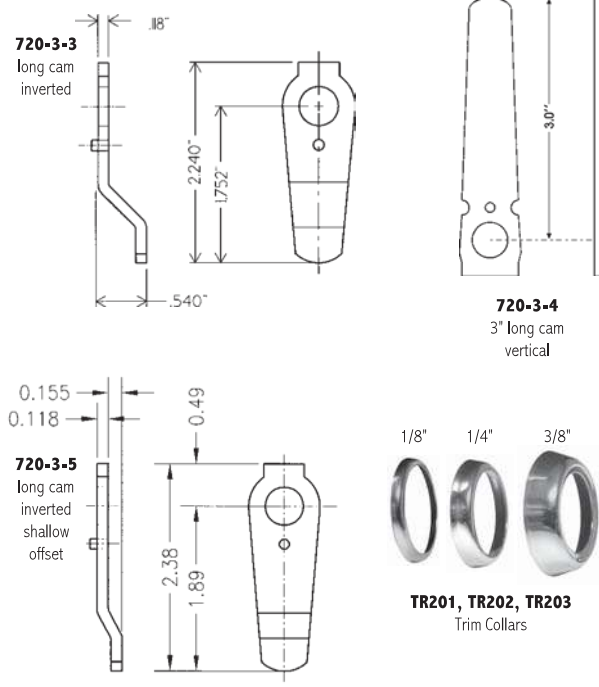
**Available separately:**

- 720-3-3 long offset cam for inverted function
- 720-3-4 extra long 3" long straight vertical cam
- 720-3-5 long shallow offset cam for inverted function
- TR201 trim collar 1/8"
- TR202 trim collar 1/4"
- TR203 trim collar 3/8"
- TR200A trim collar package (contains TR201, TR202, and TR203)

### 720LM/DM Series Dimensions



#### Available separately:



#### Ships standard with the following cams and cam shifters:

